


Position	Qty.	Description
	1	<p>SB 3-45 A</p>  <p style="text-align: center;">Note! Product picture may differ from actual product</p> <p>Product No.: 98616382</p> <p>The SB pump is a submersible booster pump for the pumping of clean water. It is especially suitable for rainwater applications. The pump is available in two main versions:</p> <ul style="list-style-type: none"> • with integrated suction strainer (1 mm mesh) • with side inlet which includes a flexible suction hose with floating suction strainer (1 mm mesh). <p>In both versions, the pump is available with or without float switch. The float switch can be used for automatic operation or dry-running protection of the pump.</p> <p>Liquid: Liquid temperature range: 0 .. 40 °C</p> <p>Technical: Rated flow: 2.93 m³/h Rated head: 30 m Impeller nom: 98 mm Type of impeller: CLOSED Maximum particle size: 1 mm Approvals and markings: 3 Curve tolerance: ISO9906:2012 3B Start pressure: Automatic</p> <p>Materials: Pump housing: PP30GF Impeller: PPO20GF</p> <p>Installation: Minimum ambient temperature: 0 °C Pump outlet: NPT 1" Maximum installation depth: 10 m Type of suction: STRAINER</p> <p>Electrical data: C run: 30 µF Mains frequency: 60 Hz Rated voltage: 1 x 220-230 V Rated current: 4.2 A Starting current: 11 A Cos phi: 0,944 Rated speed: 3400 rpm</p>



Company name:

Created by:

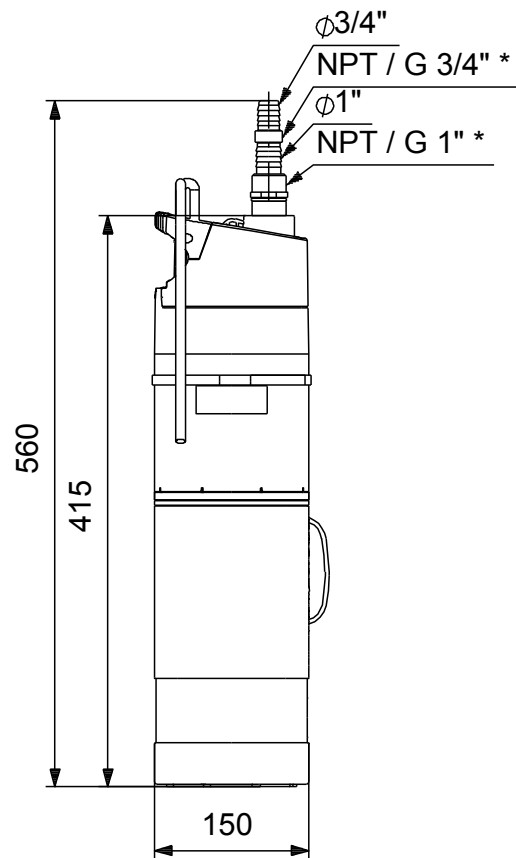
Phone:

Date:

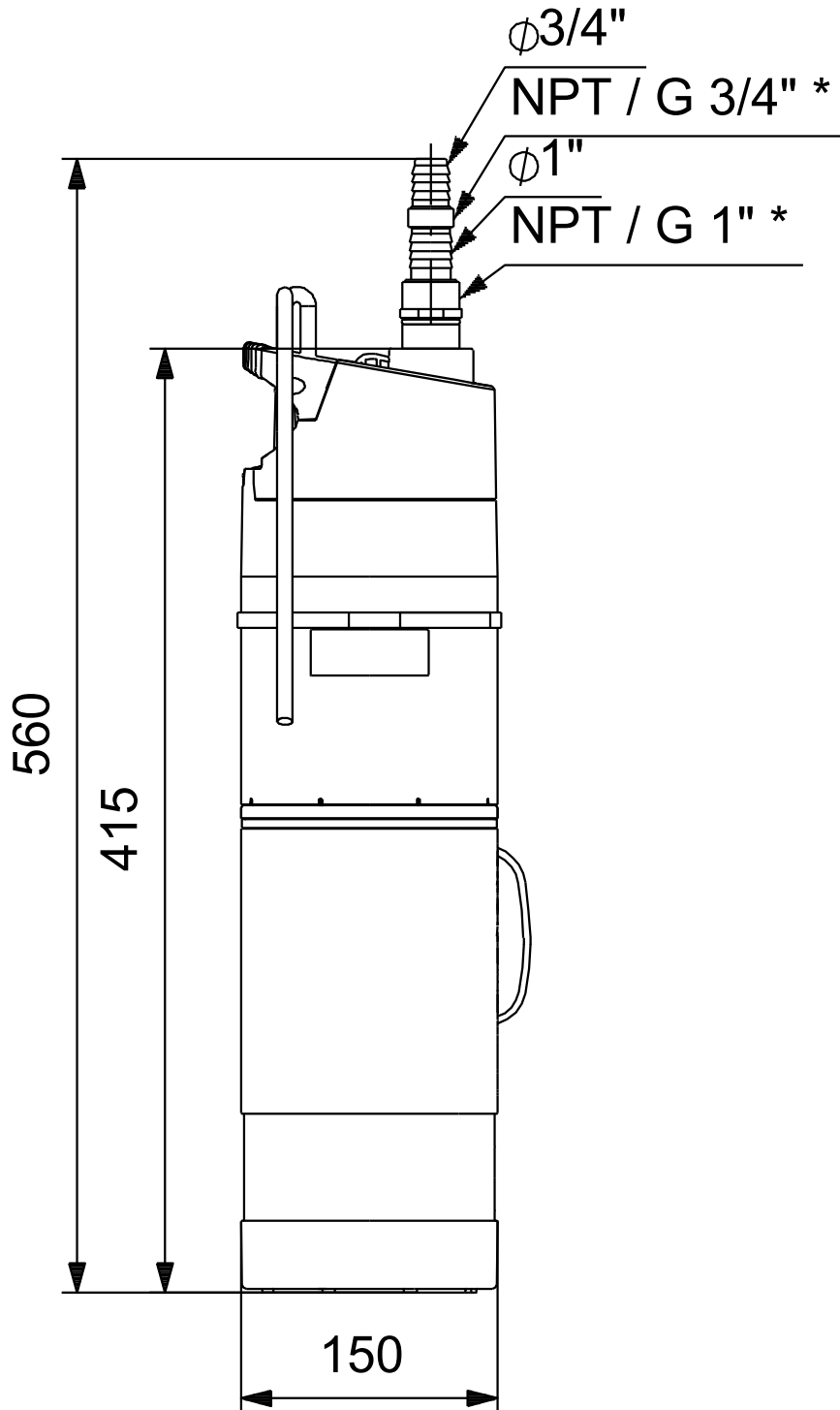
07/12/2016

Position	Qty.	Description
		Capacitor size - run: 30 μ F/250 V Enclosure class (IEC 34-5): IP68 Insulation class (IEC 85): F Length of cable: 13.7 m Cable type: H07RN-F 3G1 Type of cable plug: NEMA Others: Net weight: 9.27 kg Gross weight: 10.2 kg Shipping volume: 0.022 m ³

Description	Value
General information:	
Product name:	SB 3-45 A
Product No:	98616382
EAN number:	5712607425166
Price:	On request
Technical:	
Rated flow:	2.93 m ³ /h
Rated head:	30 m
Impeller nom:	98 mm
Type of impeller:	CLOSED
Impellers:	3
Maximum particle size:	1 mm
Approvals and markings:	3
Curve tolerance:	ISO9906:2012 3B
Start pressure:	Automatic
Materials:	
Pump housing:	PP30GF
Impeller:	PPO20GF
Installation:	
Minimum ambient temperature:	0 °C
Pump outlet:	NPT 1"
Maximum installation depth:	10 m
Type of suction:	STRAINER
Liquid:	
Liquid temperature range:	0 .. 40 °C
pH-value range:	4-9
Electrical data:	
C run:	30 µF
Mains frequency:	60 Hz
Rated voltage:	1 x 220-230 V
Rated current:	4.2 A
Starting current:	11 A
Cos phi:	0,944
Rated speed:	3400 rpm
Capacitor size - run:	30 µF/250 V
Enclosure class (IEC 34-5):	IP68
Insulation class (IEC 85):	F
Motor protec:	YES
Length of cable:	13.7 m
Cable type:	H07RN-F 3G1
Type of cable plug:	NEMA
Controls:	
Flow switch:	yes
Others:	
Net weight:	9.27 kg
Gross weight:	10.2 kg
Shipping volume:	0.022 m ³



98616382 SB 3-45 A 60 Hz



Note! All units are in [mm] unless others are stated.
Disclaimer: This simplified dimensional drawing does not show all details.